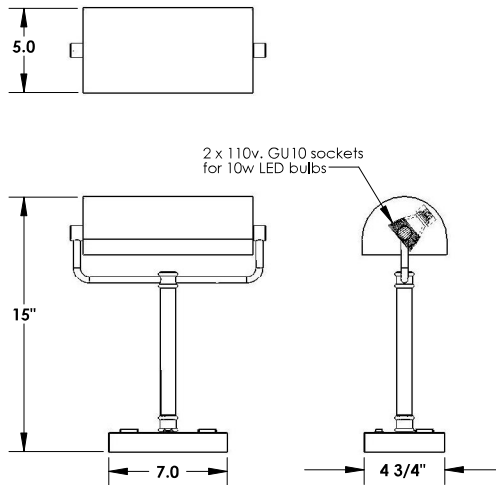


TOP BRASS LIGHTING



BANKER LAMP # C-612
Shown in Dark Bronze finish,
2 x GU10 sockets controlled by rocker switch,
uses 10w. MR16 LED bulbs,
Power outlets are always on.
With 8-foot 3-wire cord & plug.



Top Brass Lighting, 1719 Whitehead Rd, Baltimore, MD 21207
sales@topbrasslighting.com ph: 410-298-8100

Sept 3, 2019