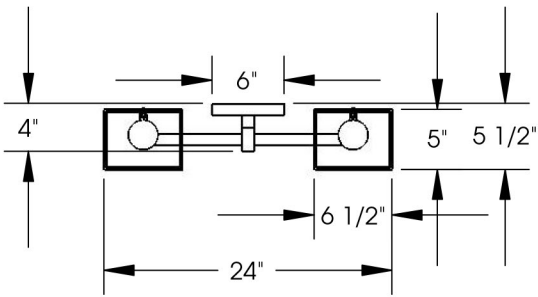
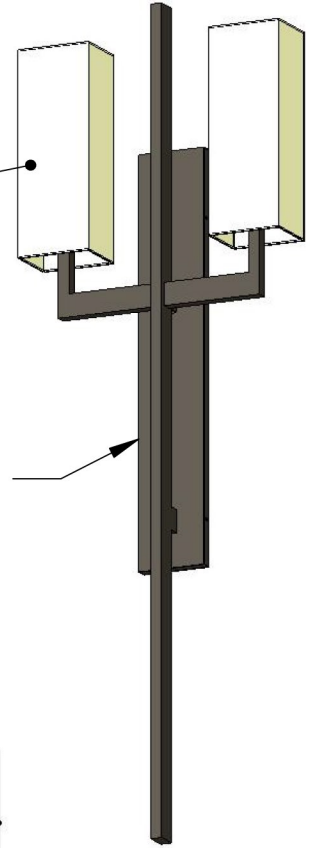


# TOP BRASS LIGHTING

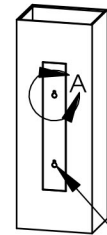
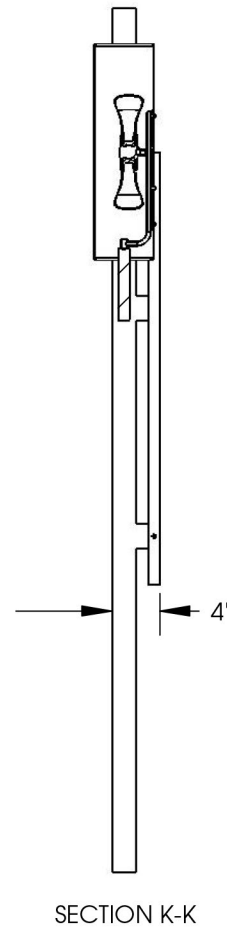
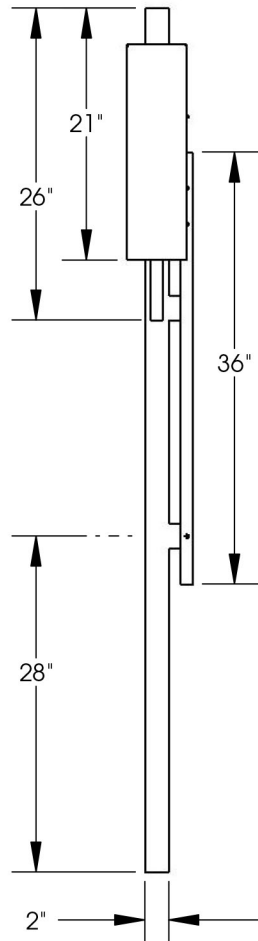
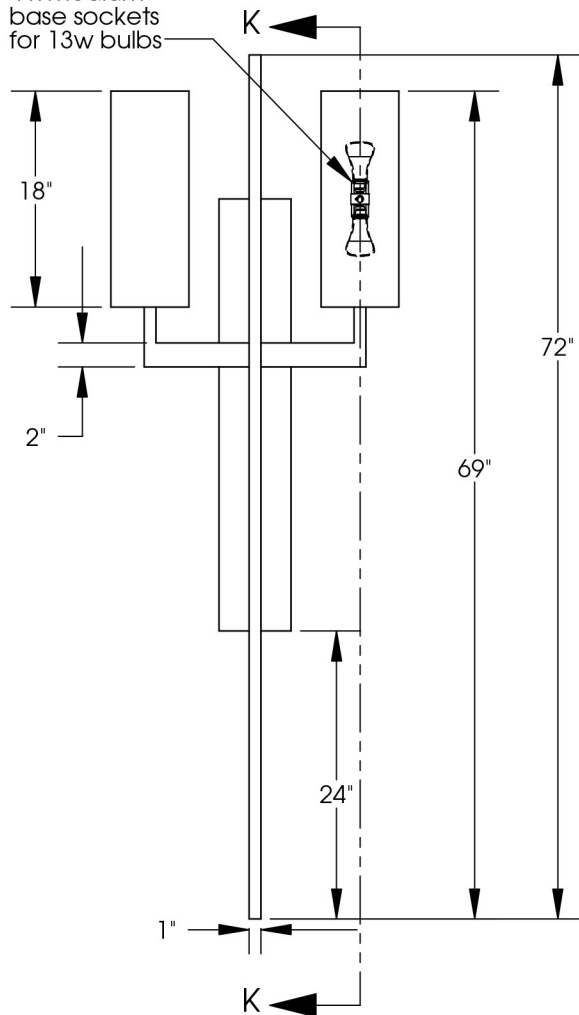


off-white  
linen  
shades

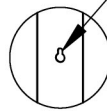
Dark Oxide finish



4 x medium  
base sockets  
for 13w bulbs



back of  
shade has  
metal panel  
with  
keyholes for  
mounting



DETAIL A  
SCALE 1 : 8

Top Brass C-807-DKOX  
June 10, 2014  
kirk.laughton@topbrasslighting.com