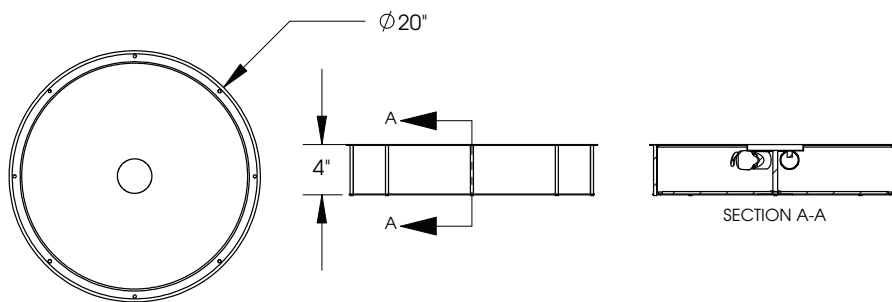


TOP BRASS LIGHTING



LIGHT STREET FLUSHMOUNT C-830
Shown in Light Antique Brass finish,
with off-white linen shade and opal acrylic diffuser.
Three medium base sockets for LED or CFL bulbs.



Top Brass Lighting, 1719 Whitehead Rd, Baltimore, MD 21207
sales@topbrasslighting.com ph: 410-298-8100