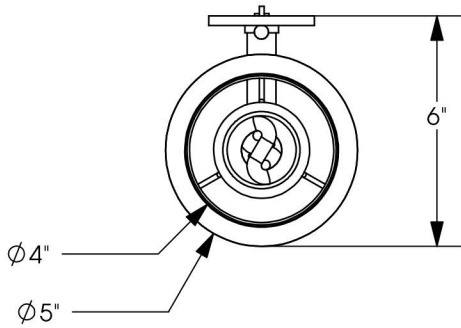


TOP BRASS LIGHTING

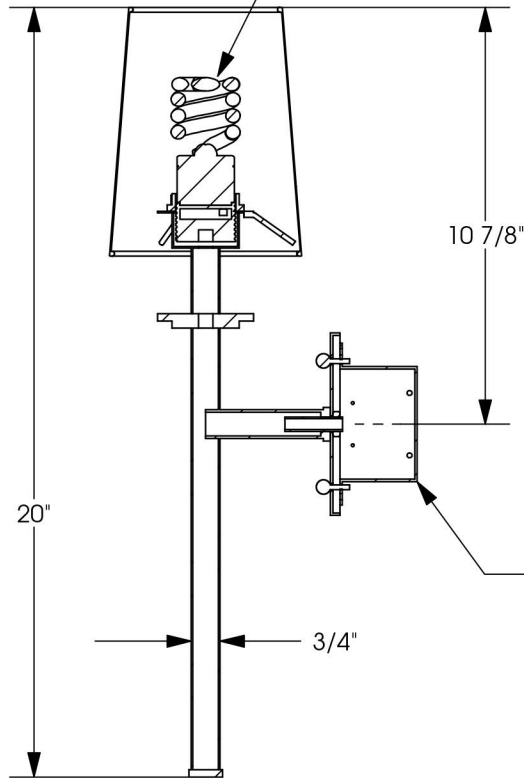
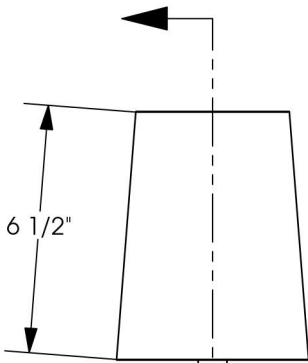


off-white
linen
shade

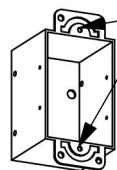
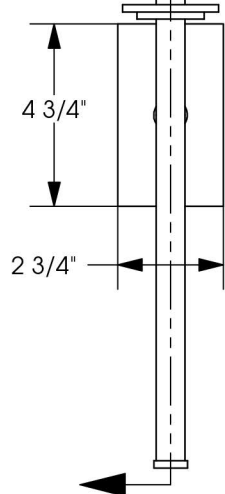
bronze
finish



shown with
13w GU24-base
CFL twist bulb
(by others)



switch box
not included



This sconce is designed to attach to the cover-plate tabs of a vertically oriented 2" x 4" switch box. (A mounting cross-bar will not work with this fixture.) Take care to ensure that the box is vertical, otherwise the sconce will be crooked.

Top Brass, # C-959
Apr 2, 2015
kirk.laughton@topbrasslighting.com