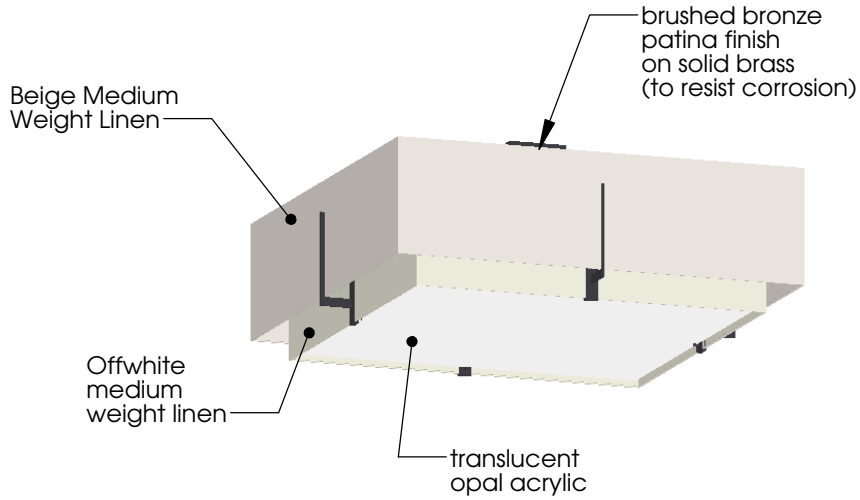
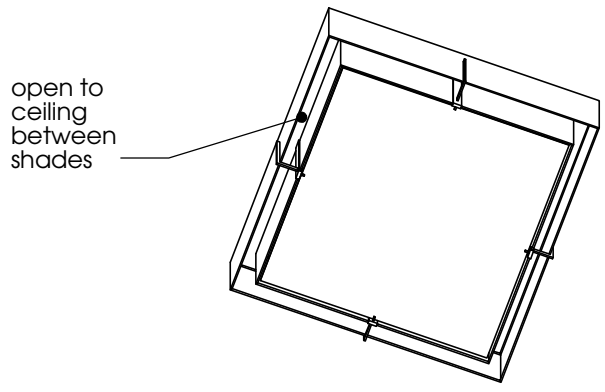
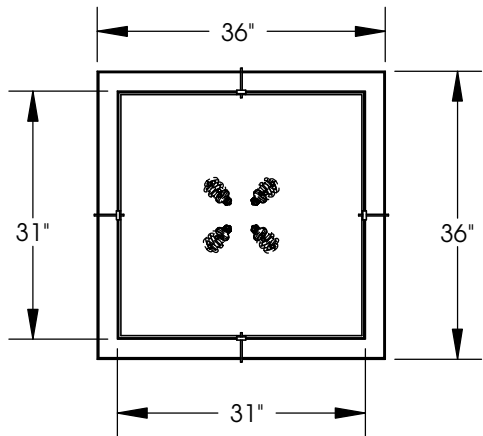
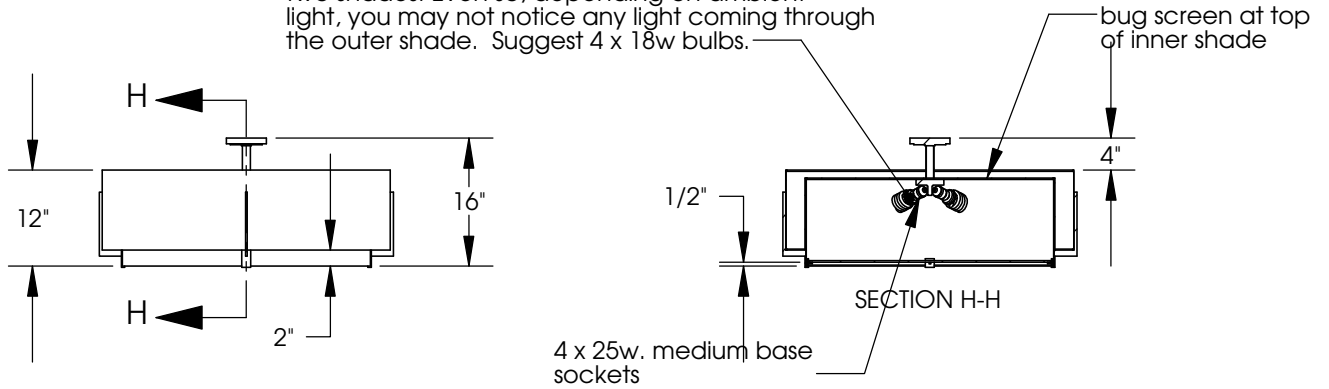


TOP BRASS LIGHTING



Light source should be strong in order to penetrate two shades. Even so, depending on ambient light, you may not notice any light coming through the outer shade. Suggest 4 x 18w bulbs.



DG for Renaissance by Faulkner
 C-978 by Top Brass
 May 17, 2015
kirk.laughton@topbrasslighting.com