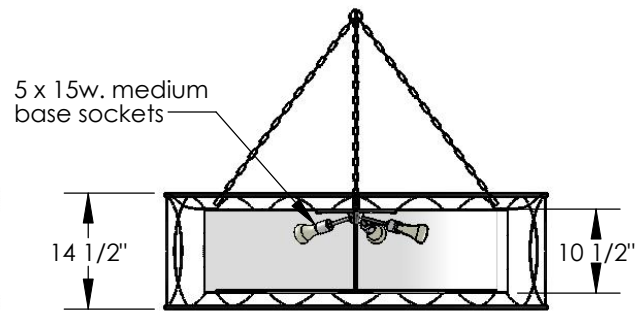
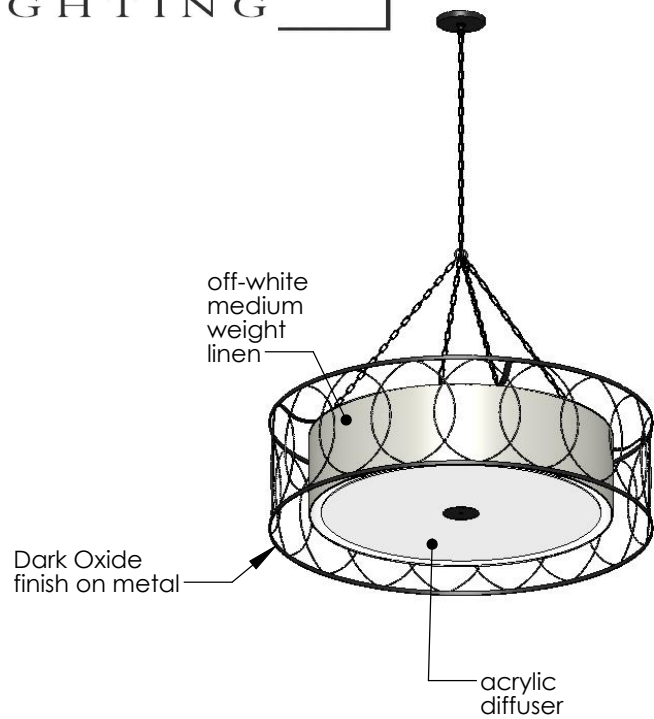
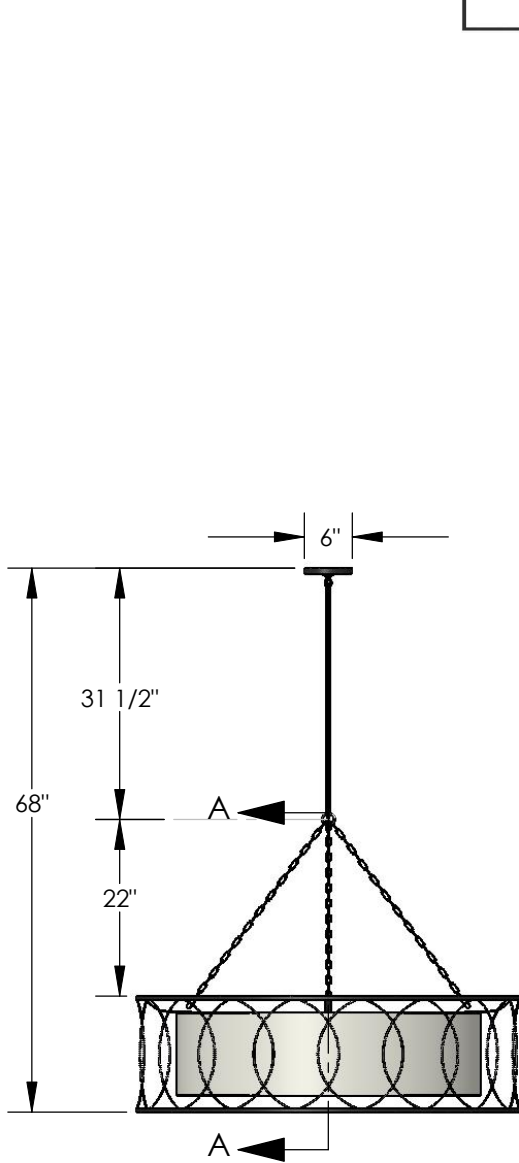


TOP BRASS LIGHTING



SECTION A-A

