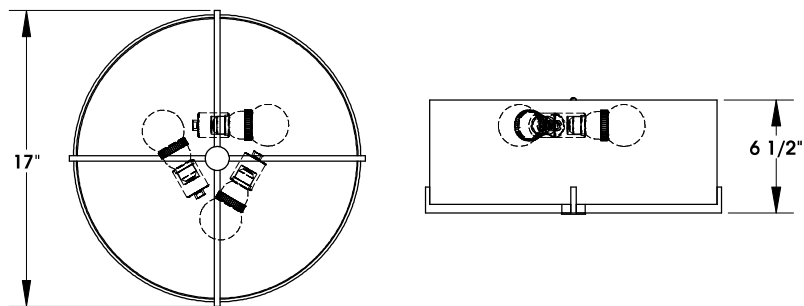


TOP BRASS LIGHTING



TOP BRASS #C-999
17" diameter x 6.5" drop,
shown in Dark Antique Brass painted finish,
opal acrylic diffuser & off-white linen shade.
UL for 3 x 10w. medium base LED bulbs,
rated for fully enclosed fixtures.



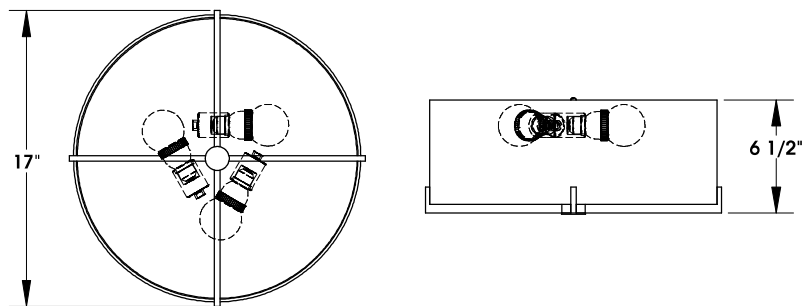
Top Brass Lighting, 1719 Whitehead Rd, Baltimore, MD 21207
sales@topbrasslighting.com ph: 410-298-8100

date: Apr 25, 2019

TOP BRASS LIGHTING



TOP BRASS #C-999
17" diameter x 6.5" drop,
shown in Medium Antique Brass painted finish,
opal acrylic diffuser & off-white linen shade.
UL for 3 x 10w. medium base LED bulbs,
rated for fully enclosed fixtures.



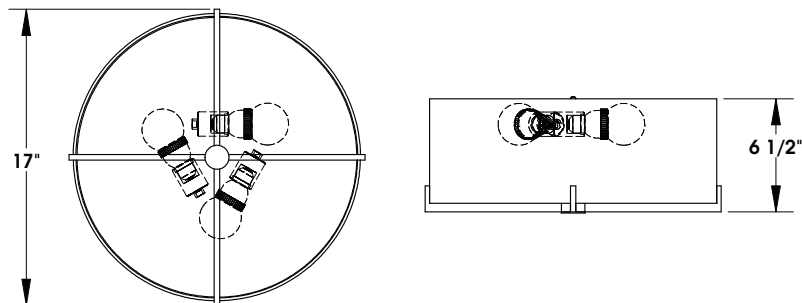
Top Brass Lighting, 1719 Whitehead Rd, Baltimore, MD 21207
sales@topbrasslighting.com ph: 410-298-8100

date: Apr 25, 2019

TOP BRASS LIGHTING

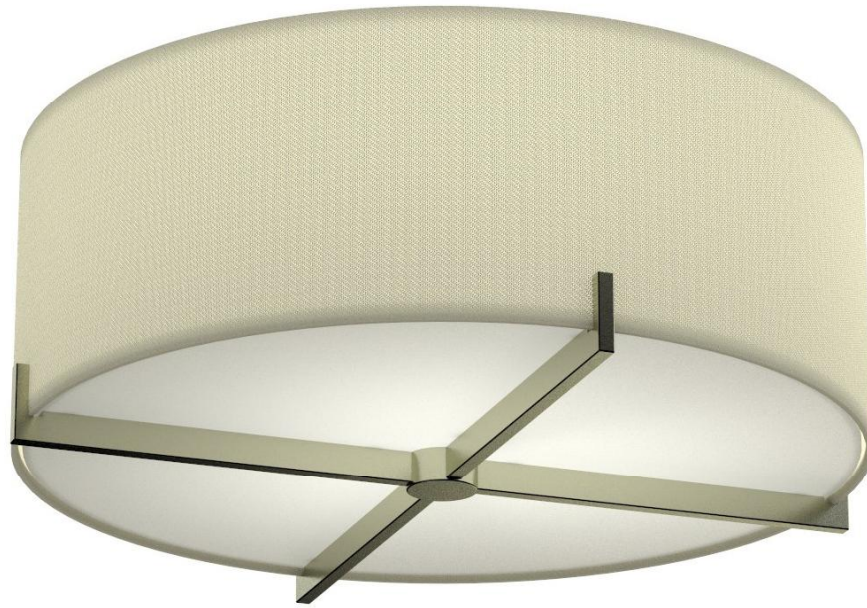


TOP BRASS C-999
shown in Brushed Nickel finish
with acrylic diffuser & off-white linen shade.
3 medium base sockets for LED or CFL bulbs (by others).

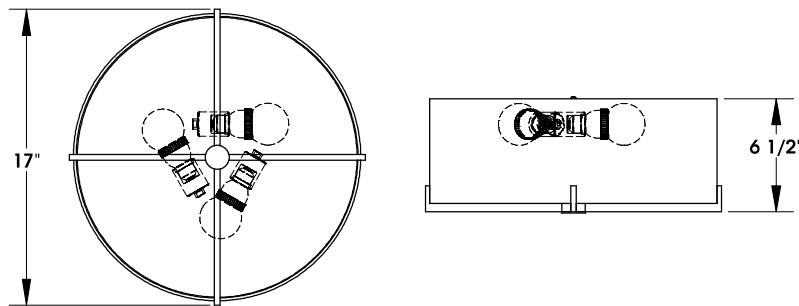


Top Brass Lighting, 1719 Whitehead Rd, Baltimore, MD 21207
sales@topbrasslighting.com ph: 410-298-8100

TOP BRASS LIGHTING



Top Brass #C-999
shown in Brushed Nickel finish
with off-white linen shade and 3 medium base
sockets are UL for 3x10w. LED bulbs.



Top Brass Lighting, 1719 Whitehead Rd, Baltimore, MD 21207
sales@topbrasslighting.com ph: 410-298-8100

cut sheet date: Jan 31, 2020