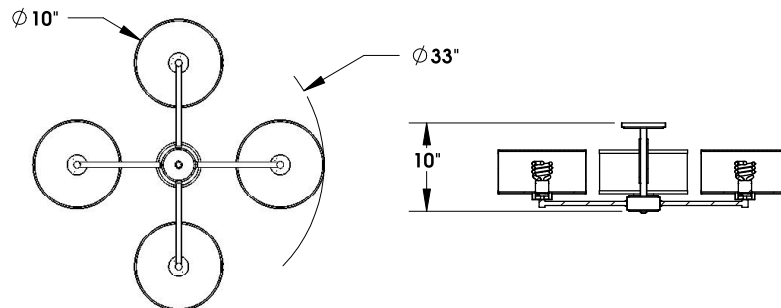


TOP BRASS LIGHTING



Finishes: Brushed Nickel, Off-White Medium Weight Linen,
Opal Acrylic, bronze painted stem section.
Insect screen at the top of each shade.

Lamping:
4 x 25w GU24 sockets for CFL or LED bulbs

Top Brass # C1008