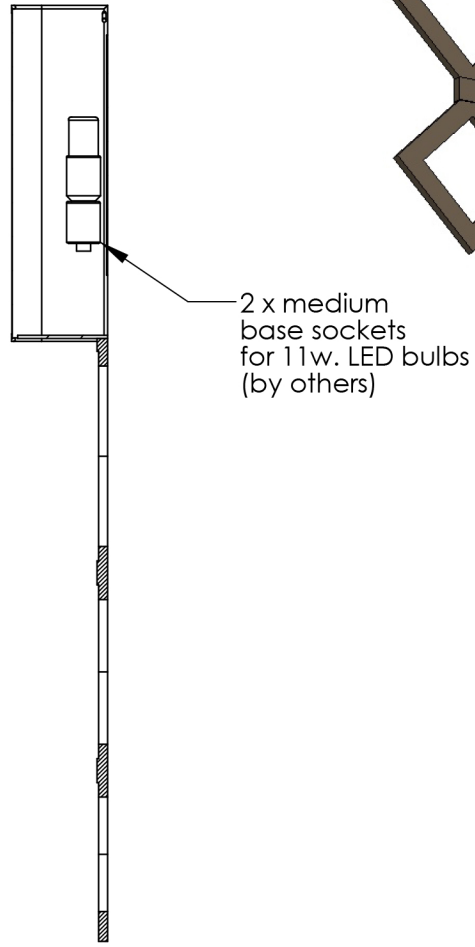
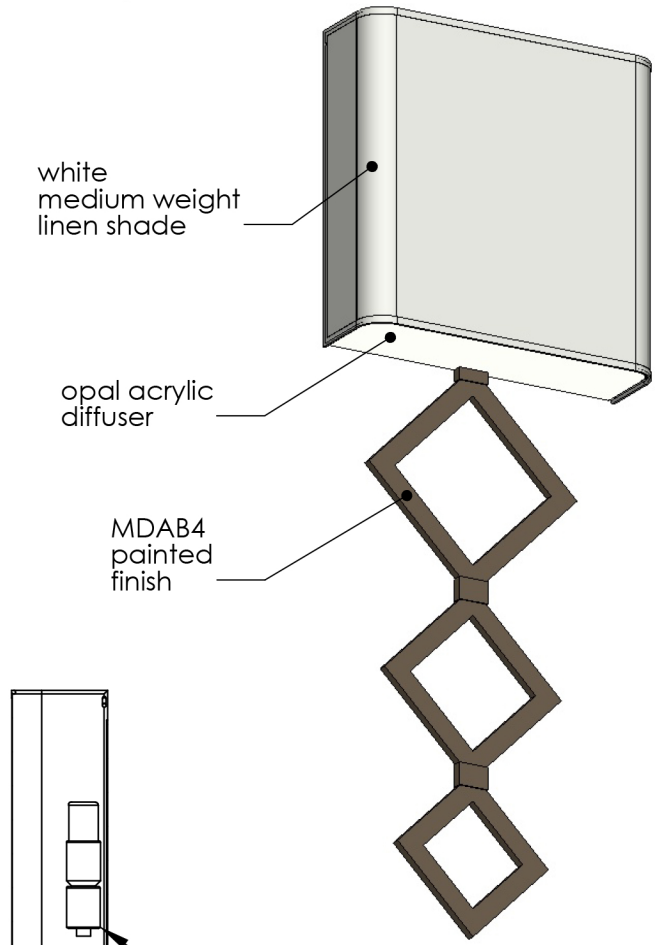
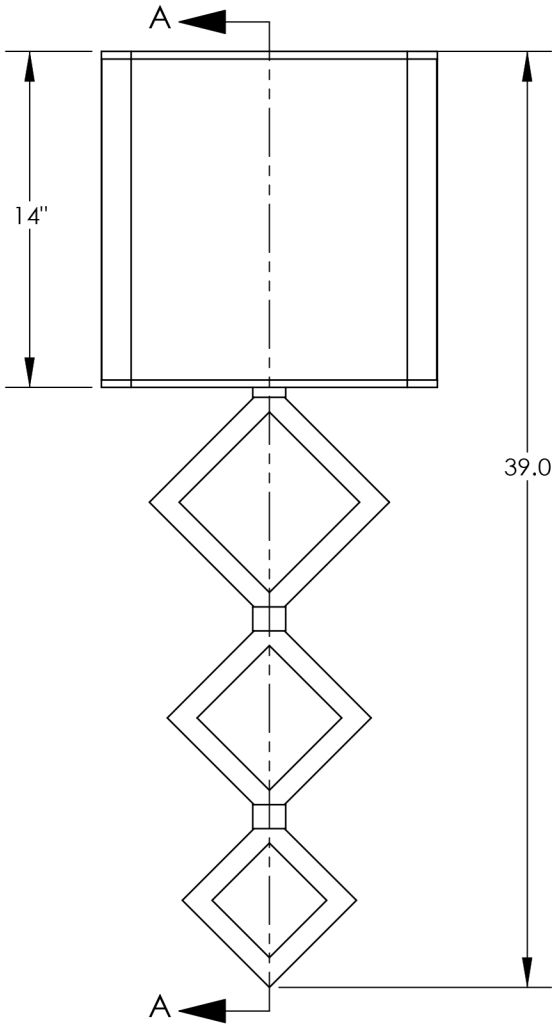
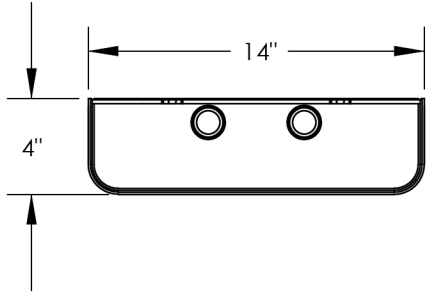


# TOP BRASS LIGHTING



SECTION A-A

C1152 by Top Brass  
Aug 24, 2017  
kirk.laughton@topbrasslighting.com