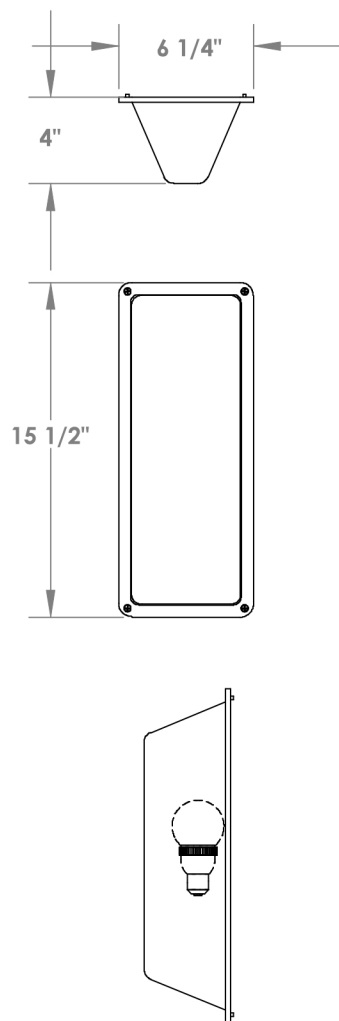


# TOP BRASS LIGHTING



SCONCE # C1204  
Opal acrylic diffuser and black metal  
trim, E26 socket, UL for 13w LED or CFL bulb.

Top Brass Lighting, 1719 Whitehead Rd, Baltimore, MD 21207  
kirk.laughton@topbrasslighting.com ph: 410-298-8100