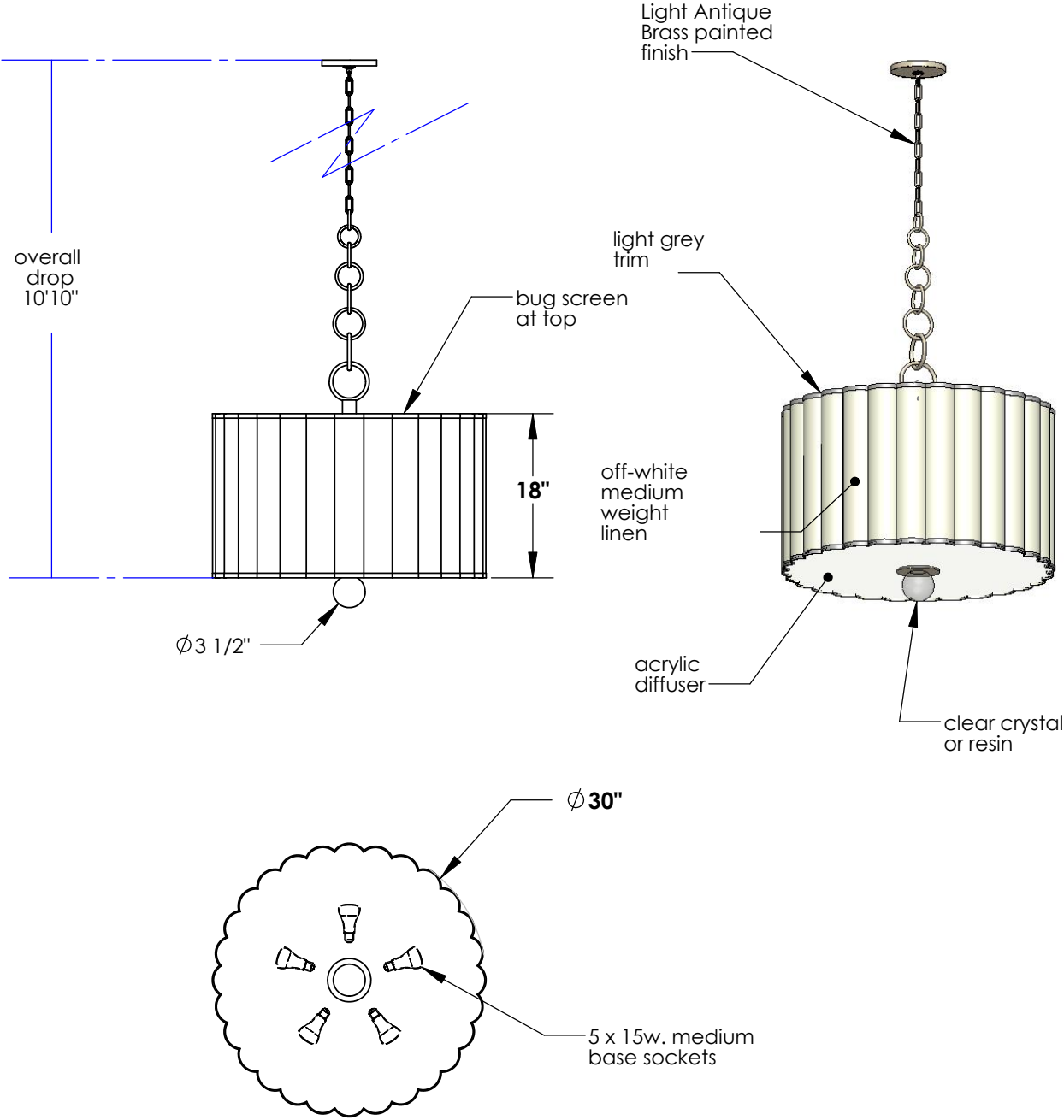


# TOP BRASS LIGHTING



C1283.03  
Apr 2, 2018  
kirk.laughton@topbrasslighting.com