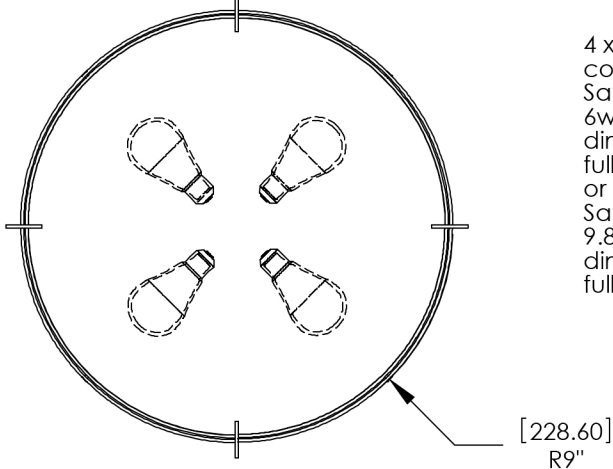
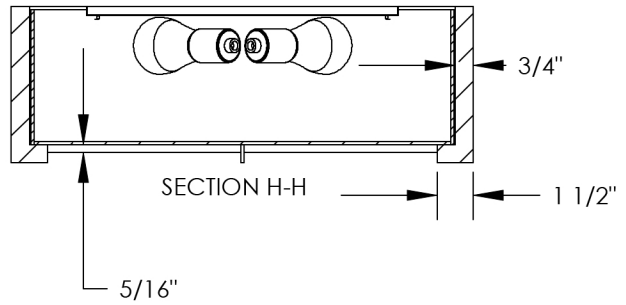
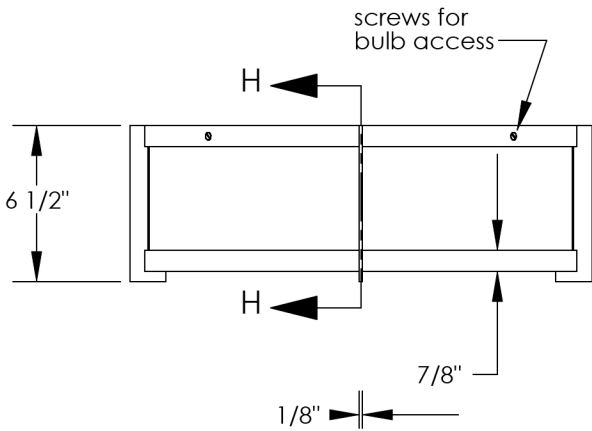
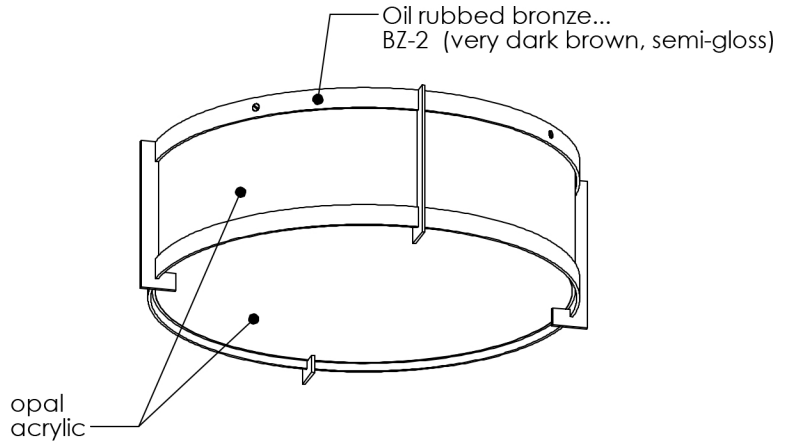
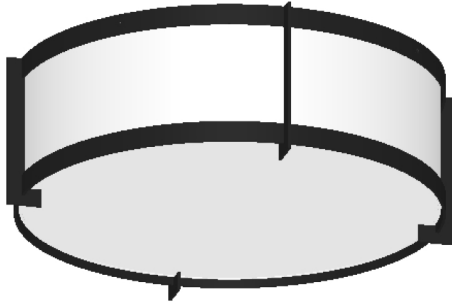
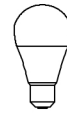


TOP BRASS LIGHTING



4 x E26 bulb (by others):
consider using
Satco # S29832,
6w, 3500K, 480 Lumens each,
dimnable & rated for
fully enclosed fixtures,
or
Satco # S29837,
9.8w, 3500K, 800 Lumens each,
dimnable & rated for
fully enclosed fixtures



Top Brass # C1346
Feb 19, 2018
kirk.laughton@topbrasslighting.com