

TOP BRASS LIGHTING

dark bronze painted finish # BZ-2
(very dark brown)

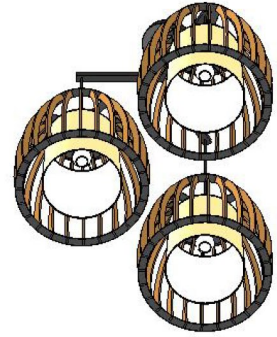
metal slats, painted to look like wood.

metal trim in dark bronze

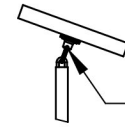
off-white medium weight linen shade (open at top & bottom)

DETAIL M
SCALE 1 : 12

GU24 sockets, ok for 15w LED bulbs (by others)

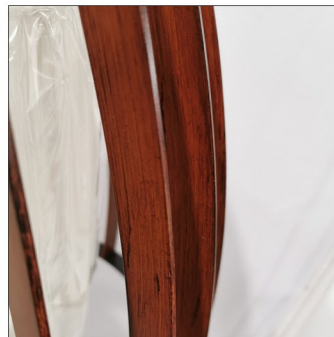
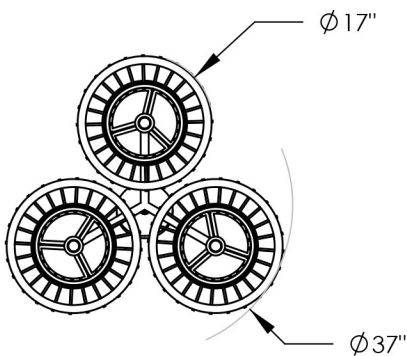
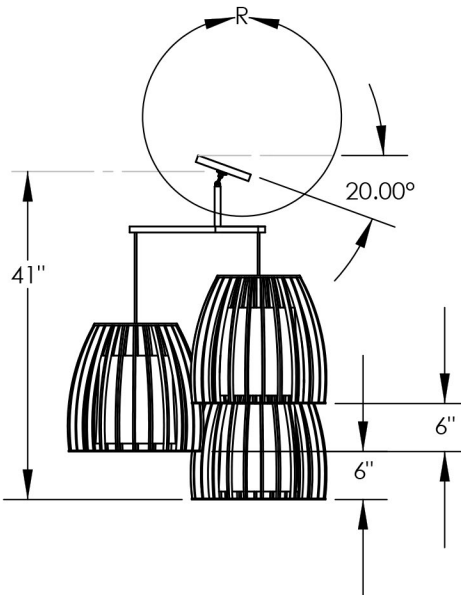


approximate ceiling angle

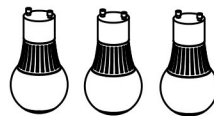


flexible connection allows fixture to hang straight.

DETAIL R
SCALE 1 : 12



Metal slats painted to look like wood



GU-24 bulbs (by others),
15w 3000k, dimmable,
Maxlite #1409342 or equivalent

Top Brass # C1362.01
Oct 10, 2019
kirk.laughton@topbrasslighting.com