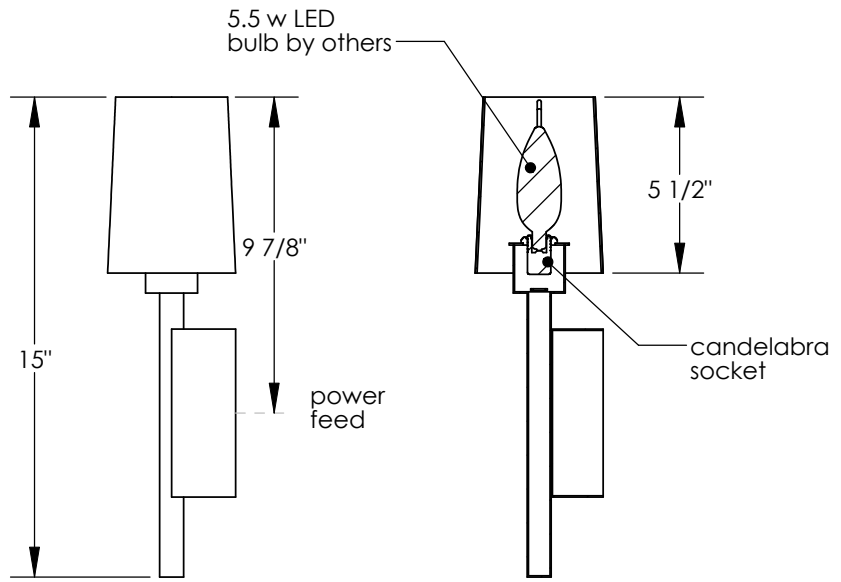
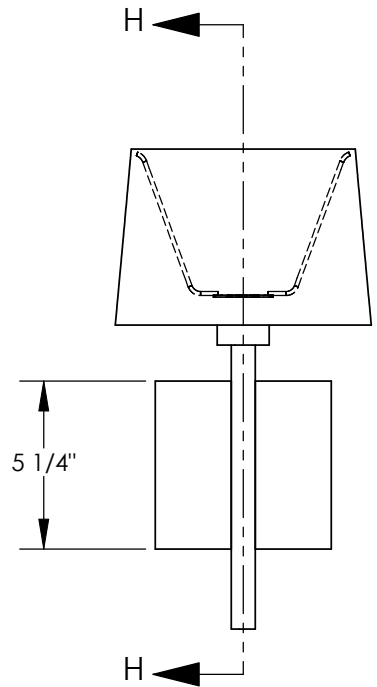
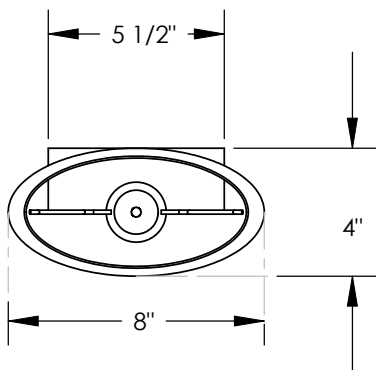
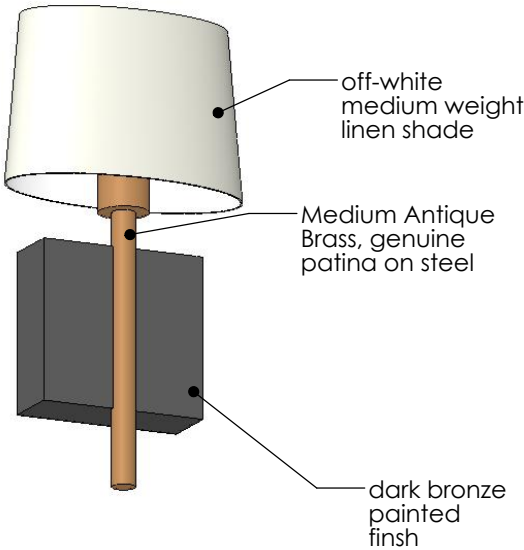


TOP BRASS LIGHTING



SECTION H-H