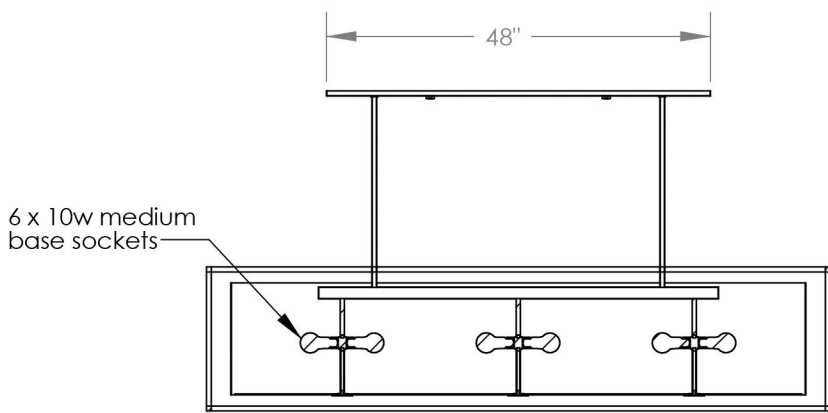
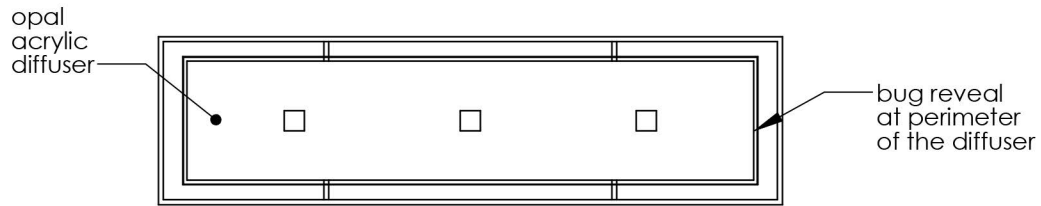
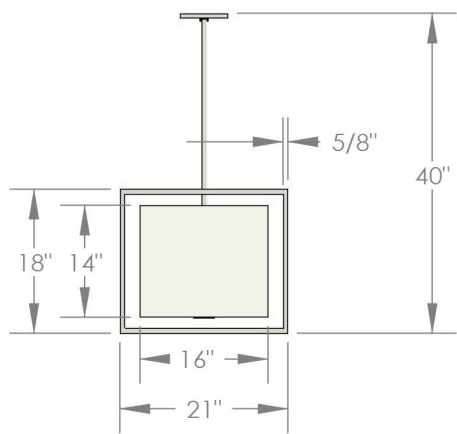
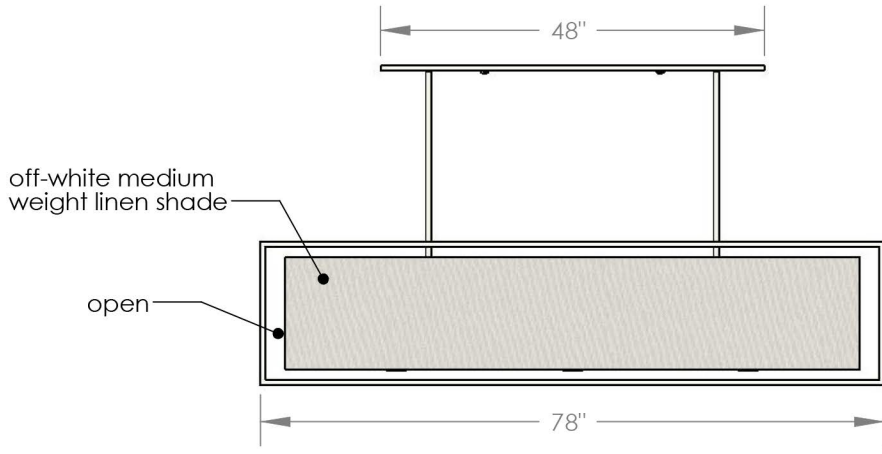
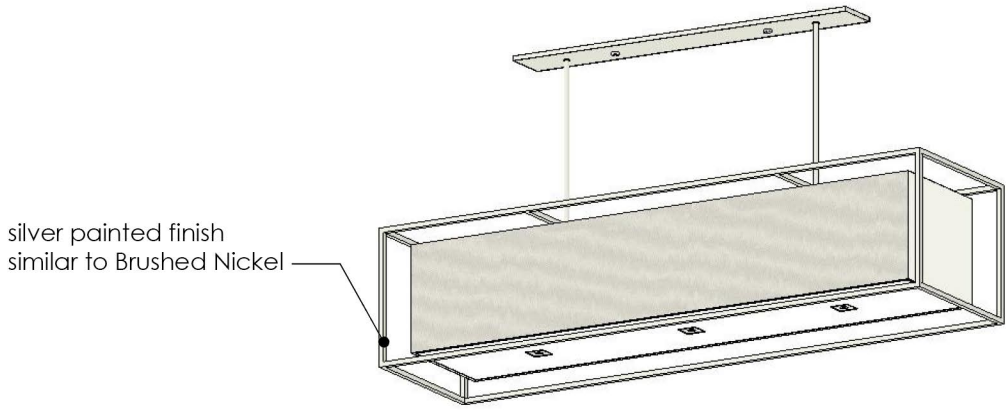


# TOP BRASS LIGHTING



SECTION A-A

Top Brass C1711  
Aug 13, 2020  
kirk.laughton@topbrasslighting.com