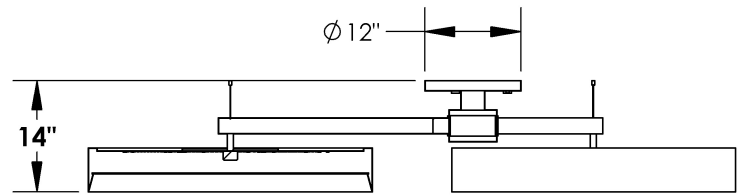
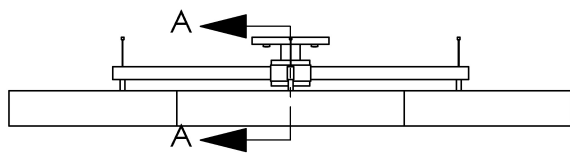
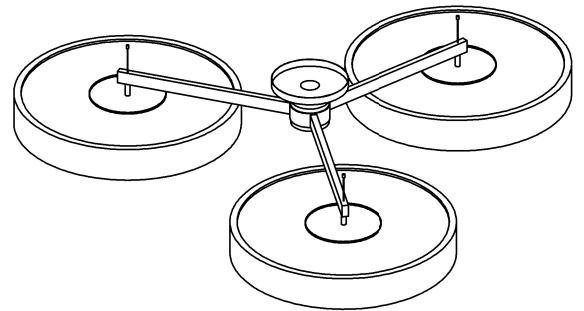
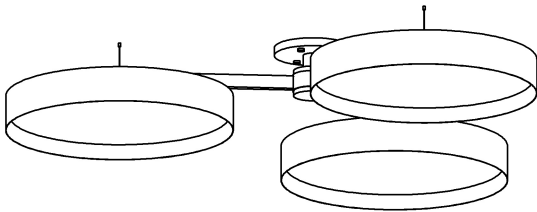
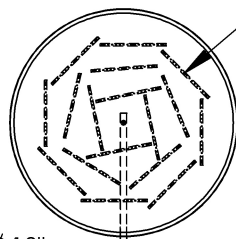


finishes: Dark Oxide (black) paint,
 painted finish similar to Light Antique Brass
 Opal Acrylic diffusers



SECTION A-A



LED emitters arranged for **even light with no hot spots and no visible clips.**

3 x 23w. 2850L at source, 2700K triac dimming
 or
 3 x 23w. 3200L at source, 2700K, non-dimming.

Ø 35 1/2"

Ø 12"

Ø 96"

